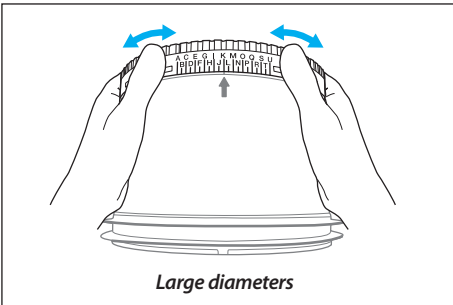
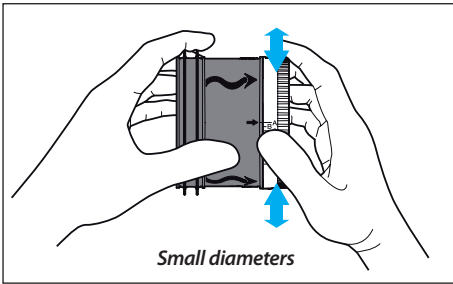


READ AND SAVE THESE INSTRUCTIONS

SETTING THE AIRFLOW

Twist the rotating adjustment ring until the desired airflow is reached. Reference the correlation table at right and printed on the device. No tools required.



CORRELATION TABLE[†]

P/N: 11016308
 Ø 4" (100 mm)

	m ³ /h	CFM	m ³ /h	CFM
L	15	9	-	-
J	20	12	-	-
H	25	15	-	-
F	30	18	-	-
E	35	21	70	41
D	40	24	75	44
C	45	26	80	47
A	55	32	90	53

P/N: 11016309
 Ø 5" (125 mm)
 10-50 CFM (15-85 m³/h)

	m ³ /h	CFM	m ³ /h	CFM
L	15	9	-	-
I	25	15	-	-
G	-	-	60	35
F	30	18	65	38
D	-	-	70	41
C	-	-	75	44
B	45	26	80	47
A	50	29	85	50

P/N: 11016310
 Ø 5" (125 mm)
 60-110 CFM (100-190 m³/h)

	m ³ /h	CFM
	K	100
J	110	65
I	120	71
H	130	76
G	140	82
E	150	88
C	160	94
A	190	112

[†] Certain letters correspond to two setpoints: one with the clip, and one without the clip.

P/N: 11016311
 Ø 6" (150 mm)

m ³ /h	CFM
R	100
P	110
O	120
M	130
L	140
K	150
J	160

P/N: 11016313
 Ø 8" (200 mm)

m ³ /h	CFM
H	170
G	180
F	190
E	200
D	210
A	240

P/N: 11016313
 Ø 8" (200 mm)

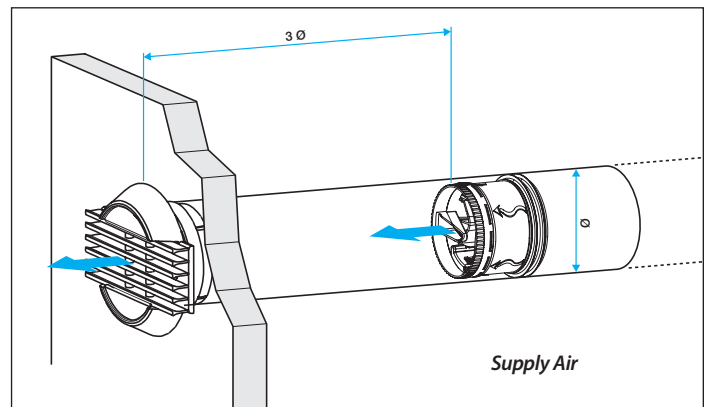
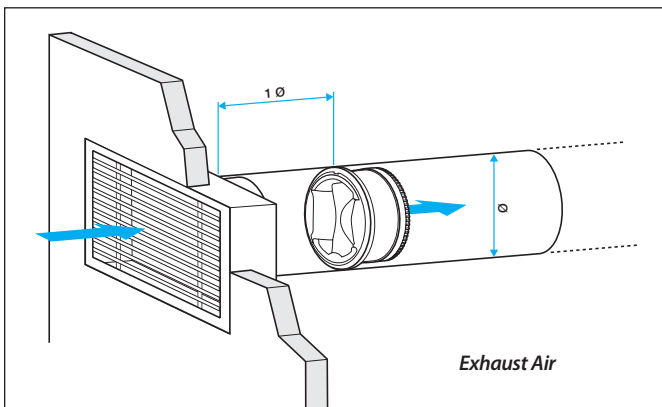
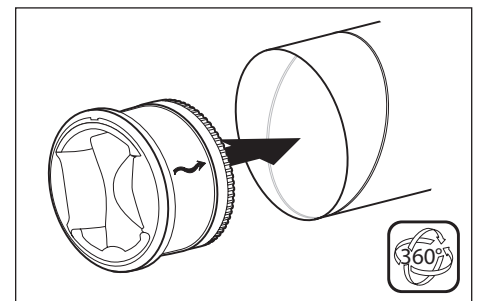
m ³ /h	CFM
U	225
S	250
Q	275
N	300
M	325
J	350
D	400

P/N: 110163114
 Ø 10" (250 mm)

m ³ /h	CFM
U	300
R	355
O	400
L	450
I	500
G	550
A	650

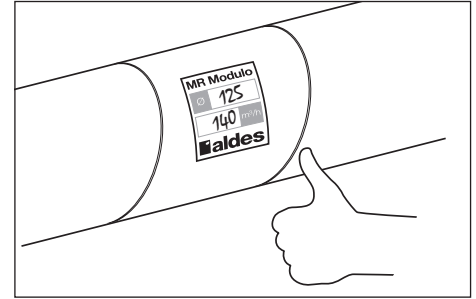
INSTALLATION

- The MR Modulo will push-fit into circular ducts in close proximity to a take-off or terminal.
- Orient the MR Modulo according to the airflow direction indicated on the device.
- Horizontal or vertical mounting is acceptable.
- To avoid acoustic and aeraulic disturbance, provide the following distance between the device and the terminal (grille / diffuser / inlet):
 - Exhaust Air: 1x the device diameter Ø
 - Supply Air: 3x the device diameter Ø



MAINTENANCE & WARRANTY

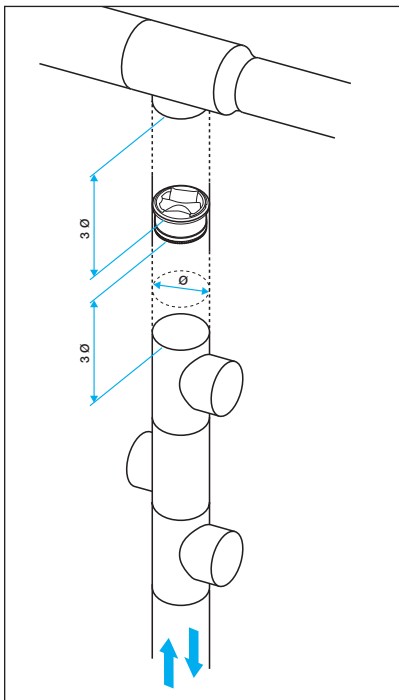
- MR Modulo performance is not altered by clogging, therefore it requires practically no special maintenance.
- If the intended application includes air heavily loaded with grease or dust, a fitting with an access panel or door, such as that used for flame dampers, should be used.
- When cleaning, plug the hole on the plastic body, at the base of the bulb, to prevent any liquid or foreign body from passing inside the bulb.
- Guaranteed for five (5) years, from date of shipment, against all defects in material or workmanship, provided that the material has been installed and used under normal conditions. This warranty is limited to the repair or replacement of the material.



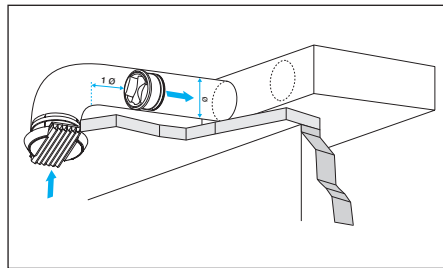
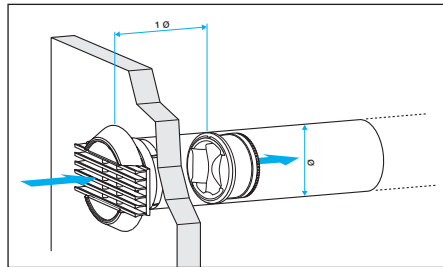
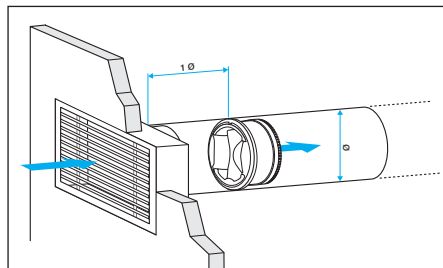
Write the diameter and airflow setting on the provided sticker and place it directly onto the duct to show where the MR Modulo has been installed.

TYPICAL APPLICATIONS

Duct System



Exhaust/Return Air



Supply Air

